

# HAUG Ionization - for the elimination of electrostatic charges



## HAUG ionization systems

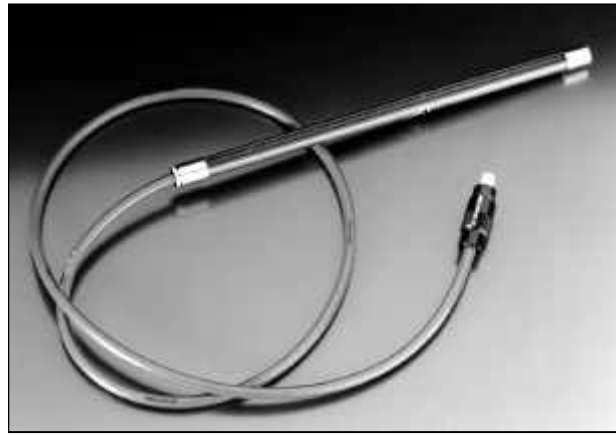
serve to neutralize electrostatic charges. These disruptive charges can be found on various material webs, where they interfere with the production process and attract dust particles as well as other quality-reducing substances.

For more than 45 years HAUG has been researching, developing and producing devices aimed at overcoming this problem. This concerns all industries which are processing materials with poor electrical conductivity.

### EI VS

The HAUG EI VS ionizing bar reliably removes electrostatic charges and its performance, when compared to the standard version, is considerably enhanced.

The EI VS ionizing bar has all of the typical features that characterize HAUG ionizing bars: the reliable and removable connection system, the shielded high-voltage cable (ill. 3 and 4), the special stainless-steel electrodes and the convenience of being safe to touch.



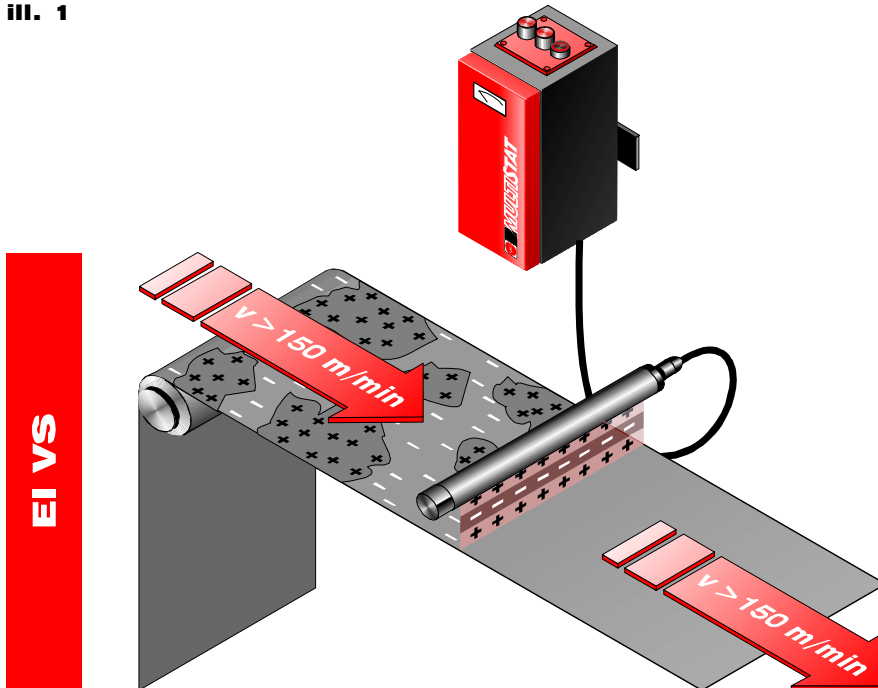
### EI VS

#### HAUG ionization systems

HAUG ionization systems consist of the following components:

- a power pack with integrated high-voltage transformer and
- one or several connected ionizing devices supplied by the power pack with a voltage of 7-8 kV<sub>~</sub>.

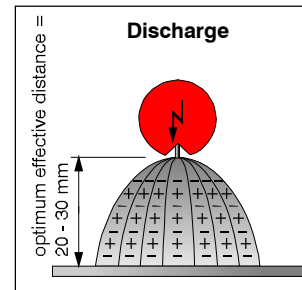
### ill. 1



### photo 2



### ill. 2



The electrical capacity is three times as great as the standard version and, therefore, it is necessary to base any power pack load calculations on a bar length three times as long.

Example: EI VS 50 cm with 200 cm cable  
Power pack load: 3 x 50 cm + 200 cm = 350 cm

Also available: EI VSE, EI VSA, EI VSAE (p.t.o.)

### Applications

- Plastic processing industry: Film processing, packaging machines, film extruders, etc.
- Textile industry: Weaving and spinning mills, textile finishing plants, etc.
- Graphic industry: Screen and pad printing machines, photographic and film processing machines, folding machines, etc.
- Paint shops: Car painting, painting of plastic components, etc.

### ill. 3



### ill. 4



### HAUG GmbH & Co. KG

### Germany

Friedrich-List-Str. 18  
D-70771 Leinf.-Echterdingen  
Phone: +49 711 / 94 98-0  
Telefax: +49 711 / 94 98-298

[www.haug.de](http://www.haug.de)  
E-mail: [info@haug.de](mailto:info@haug.de)

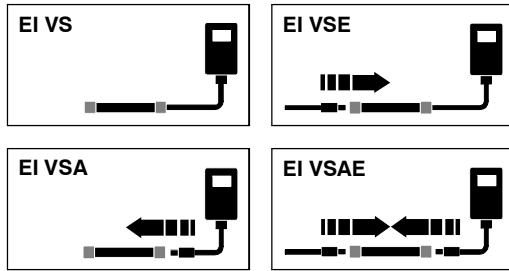
### HAUG Biel AG

### Switzerland

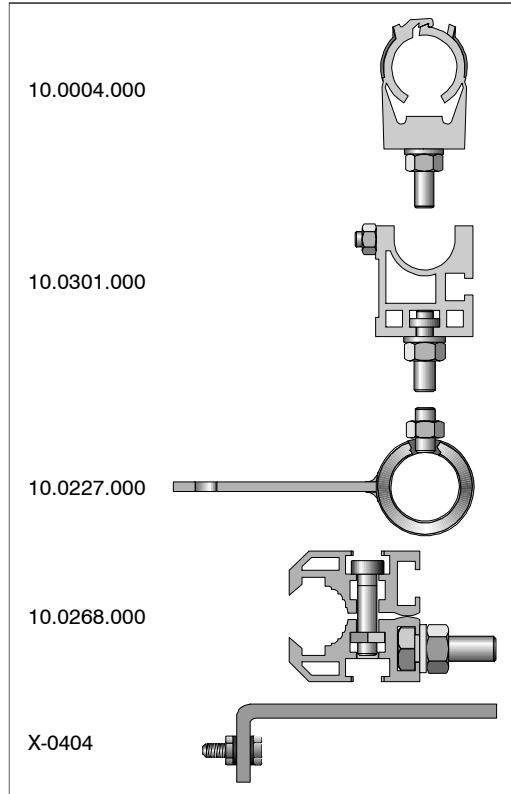
Johann-Renfer-Str. 60  
CH-2500 Biel-Bienne 6  
Phone: +41 32 / 344 96 96  
Telefax: +41 32 / 344 96 97

[www.haug-ionisation.com](http://www.haug-ionisation.com)  
E-mail: [info@haug-biel.ch](mailto:info@haug-biel.ch)





### Bar holder



EI VS

### Technical data EI VS

Types: **EI VS** Order-No.: 03.8020.000  
special bar for high charges on high-speed machines, cable and bar inseparable.

HV-cable Order-No.: 06.0210.000

**EI VSE** Order-No.: 03.8022.000  
as EI VS, with HV-connection on end of bar for series connection of ionizing units

**EI VSA** Order-No.: 03.8021.000  
for connection of a highly flexible, detachable HV-cable

VK Norm 21 Order-No.: 05.8517.000

VK Norm 22 Order-No.: 02.8522.000

VK Norm 23 Order-No.: 05.8519.000

VK Norm 24 Order-No.: 05.8518.000

**EI VSAE** Order-No.: 03.8023.000  
as EI VSA, with HV-connection on end of bar for series connection of ionizing units

Diameter: 18 mm / 20 mm

Length: 150 mm – 2500 mm

Operating temperature: +5 °C to +45 °C

Storage/transport temperature: -15 °C to +60 °C

Optimum effective distance: 20 – 30 mm

Effective length: bar length - 120 mm

Smallest bending radius (cable): R 50

Subject to technical changes!

### Accessories

Bar holder "Klick-Zack" Order-No.: 10.0004.000

Bar holder, closed Order-No.: 10.0227.000

Clamping holder, 2 parts Order-No.: 10.0268.000

Bracket, large Order-No.: X-0404 a.o.

### Suitable power packs

Connectable lengths (ionizing unit incl. high-voltage cable):

EN SL max. 5 m

EN SL LC / EN SL RLC max. 10 m

EN 8 / EN 8 LC max. 18 m

Multistat max. 18 m

EN 70 / EN 70 LC max. 2 x 18 m

Please pay attention to the multiplier (see verso)!

